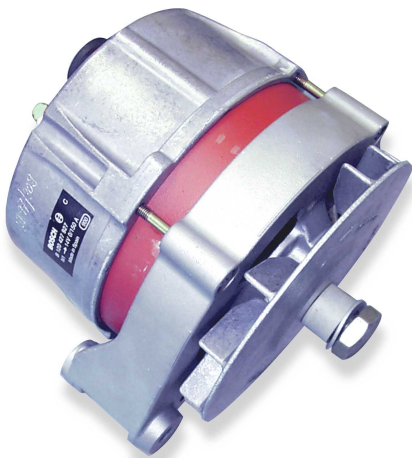


Alternator 150 A

www.bosch-motorsport.com



BOSCH
Invented for life



- ▶ For Rallye Audi, Opel Manta 400 and Ascona 400 etc.
- ▶ Delivery after test run and with test protocol

This alternator is modified for motorsport demand, splash protected and delivered without pulley and fan. Clockwise and anticlockwise versions are possible, modifications are available on request.

According to Appendix K to the international sporting code for historic motorsport, the race / rallye car must be equipped with parts, which comply to the corresponding Period Specification (see Appendix K section 3.3 and 3.3.3). This Bosch Motorsport generator is conform to these regulations for homologations from the 60th till the 90th.

Modifications

The modifications and reinforced constructions, for example on rectifiers or stators and rotors, resulted in improved robustness and higher speed.

Application

Ambient temperature range	-10 to 90°C
Vibration protection	High protection
Installation	Without rubber mounting
Rotating direction	Clockwise

Technical Specifications

Mechanical Data

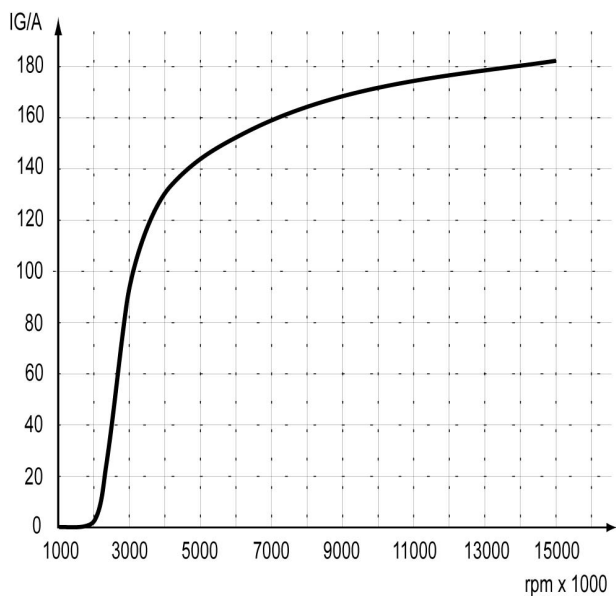
Case material	Aluminum
Weight	5,500 g
Current regulator unit	Integrated
Max. rotations	15,000 x 1/min
Diameter	138 mm
Length without shaft stub	136 mm
Distance between mounting points	156 mm

Electrical Data

Rated current	150 A
Supply voltage	13.5 V
Cut-in speed	1,700 1/min
Coupling	Screws
Battery B+	M8
Control lamp D+	M5

Characteristic 80 A

Rpm [1/min]	I_G [A] at °C
1,000	0
2,000	8
3,000	95
4,000	129
5,000	143
6,000	153
7,000	160
8,000	164
9,000	168
10,000	173
12,000	178
15,000	183

**Installation Notes**

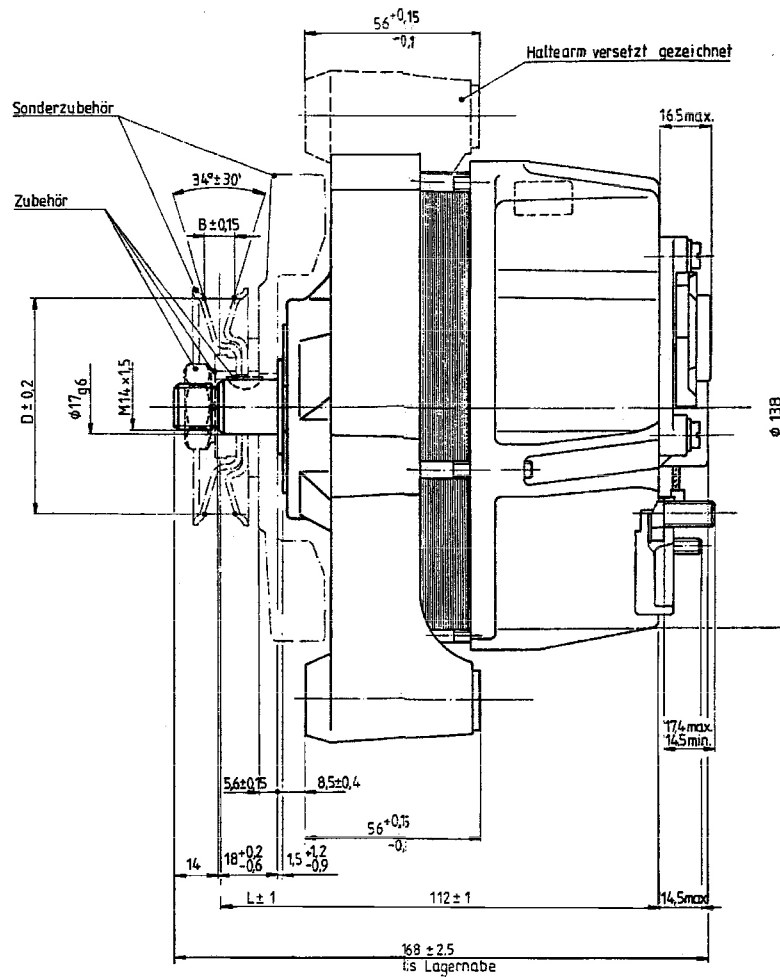
The charge indication lamp is connected to terminal 15 and illuminates when the ignition is switched on. The cable of the charge indication lamp is connected to the alternator at "D+". At first it should be checked if the alternator is connected to ground. When the ignition is switched on, the charge indication lamp gets power (12 V PLUS) and "D+" is connected to ground. Now the charge indication lamp illuminates.

When the engine is working (and therefore also the generator), the generator will generate power (12 V PLUS) and the charge indicator lamp will turn off because it gets 12 V PLUS from two sides and is not connected to ground.

Ordering Information**Alternator 150 A**

Order number **B 120 427 927**

Dimensions



Represented by:

Europe:
 Bosch Engineering GmbH
 Motorsport
 Robert-Bosch-Allee 1
 74232 Abstatt
 Germany
 Tel.: +49 7062 911 9101
 Fax: +49 7062 911 79104
 motorsport@bosch.com
 www.bosch-motorsport.de

North America:
 Bosch Engineering North America
 Motorsport
 38000 Hills Tech Drive
 Farmington Hills, MI 48331-3417
 United States of America
 Tel.: +1 248 876 2977
 Fax: +1 248 876 7373
 motorsport@bosch.com
 www.bosch-motorsport.com

Latin America:
 Robert Bosch Ltda
 Motorsport
 Av Juscelino Kubitschek de
 Oliveira 11800
 Zip code 81460-900
 Curitiba - Parana
 Brasilia
 Tel.: +55 41 3341 2057
 Fax: +55 41 3341 2779

Asia-Pacific:
 Bosch Engineering Japan K.K.
 Motorsport
 18F Queen's Tower C, 2-3-5 Minato Mirai
 Nishi-ku, Yokohama-shi
 Kanagawa 220-6218
 Japan
 Tel.: +81 45 650 5610
 Fax: +81 45 650 5611
 www.bosch-motorsport.jp

Australia, New Zealand and South Africa:
 Robert Bosch Pty. Ltd
 Motorsport
 1555 Centre Road
 Clayton, Victoria, 3168
 Australia
 Tel.: +61 (3) 9541 3901
 motor.sport@au.bosch.com